



## DXB Hydraulic Breakers



ce.doosaninfracore.co.kr

Doosan Infracore Korea Office  
27/F, Doosan Tower 18-12, Euljiro-6Ga, Jung-Gu  
Seoul 100-730 Korea  
Tel : 82 2 3398 8114

Date of release : NOV-2011



# DOOSAN Delivers

- ✓ Quality
- ✓ Performance
- ✓ Best Fit
- ✓ Service



## Quality

Doosan is committed to offer quality products to guarantee customer satisfaction and performing tools to get the job done. Doosan engineers proceed with severe tests in their laboratories to ensure vital components resist the toughest conditions.



## Performance

Doosan attachments are built to perform! Doosan hydraulic breakers offer powerful performance and top productivity. Whether you are demolishing concrete, cutting asphalt or breaking rocks, they are designed to give you top productivity to make each blow count. Doosan breakers provide high performance, simple and reliable design, low maintenance cost and carrier protection.



## Best Fit

Match the right tool on the right machine for the right job! Doosan ensures we offer you optimized combination! All our attachments are engineered tested and approved on Doosan equipment. We do more than just fit up and stability tests!



## Service

We are there to help you! Service is not a vain word. It is our strong belief and duty to assist you with all your inquiries. Genuine parts will guarantee your equipment longevity and reliability. We want to offer you "peace of mind"!



Easy maintenance, less downtime! Minimizing downtime gives you the edge when it comes to productivity. We've made it easy for you to reach all the essential equipment parts.

# DXB Series

## Breaker package includes

- 2 hydraulic hoses
- 2 breaker tools
- Silence housing\*
- Inflating kit
- Tool box
- Fixing cap included\*\*
- Instruction manual
- Document of conformity
- Doosan engineering approval
- One year warranty
- Automatic greaser\*

(\*) Depending on model

(\*\*) Only for DXB35, DXB45, DXB90



## Specifications

Model		DXB10	DXB20	DXB35	DXB45	DXB90	DXB170	DXB190	DXB260
Carrier weight	t	1~2.5	2.5~4.5	4~6	6~8	12~16	18~28	26~32	30~38
Operating weight	T kg	90	170	330	500	940	1680	1850	-
	H kg	-	-	340	490	1000	1620	1750	2550
	BH kg	-	-	290	430	-	-	-	-
	SL kg	-	-	400	-	-	-	-	-
Tool diameter	mm	47	57	70	77	107	137	142	156
Operating pressure	bar	130	140	170	170	180	180	180	180
Flow	Min. ℓ/min	15	25	35	45	80	100	120	150
	Max. ℓ/min	30	45	65	90	140	150	180	240
Frequency	blows/min	1100	1000	1000	1000	820	600	600	550
Energy/blow	J	200	400	660	1000	2100	3400	4000	6000
Automatic grease option		-	-	-	-	-	•	•	•
Two-speed control		-	-	-	-	-	-	•	•

## Carrier Compatibility

	DXB10	DXB20	DXB35	DXB45	DXB90	DXB170	DXB190	DXB260
	DX27Z	DX30Z DX35Z	DX53W DX55E DX55W DX60R Backhoe loader Skid steer loader	S75V DX80R Backhoe loader	DX140LC DX140LCR DX140W / WE DX160W / WE DX170W S140LC	DX180LC DX210W DX220LC DX225LC / LCA DX225LCB DX225LL DX225NLC DX235LCR DX255LC S180W S225LC7 / NLC S230LC S255LC	DX300LC / LCA DX300LL S300LC S300LC7	DX340LC DX350LC / LCY DX380LC S340LC S340LC7

## Product features & benefits

- High impact energy, to make every blow count.
- Proven breaker technology, using the best balance between hydraulic oil from the carrier and nitrogen gas.
- Robust design, with enhanced welding structure, to reduce internal torsion stress and increase breaker lifetime.
- Increased life of dampers and wear plates, reducing vibrations and minimizing shocks on the carrier.
- Long piston stroke to maximize impact energy and minimize recoil. Special heat-treated pistons are used to increase durability.
- Fewer spare parts and convenient access for easy maintenance.
- Factory pressure tested to ensure optimum quality.
- Fit up tested to ensure best fit, perfect compatibility, protecting the Doosan carrier.



## Use the Right Tool for the Right Job



**MOIL POINT :** Demolition  
Hard Ground  
Hard Ground with Failures  
Concrete



**BLUNT TOOL :** Block Splitting  
Compact Abrasive  
Difficult to Position  
Concrete Slab on  
Demolition



**CHISEL :** Trenching  
General Excavation  
Mass Excavation in Quarry  
Soft Ground with Faults  
Concrete  
Reinforced Concrete



**PYRAMIDAL :** Trenching  
General Excavation  
Asphalt  
Mass Excavation in Quarry  
Soft Ground with Faults  
Concrete  
Reinforced Concrete

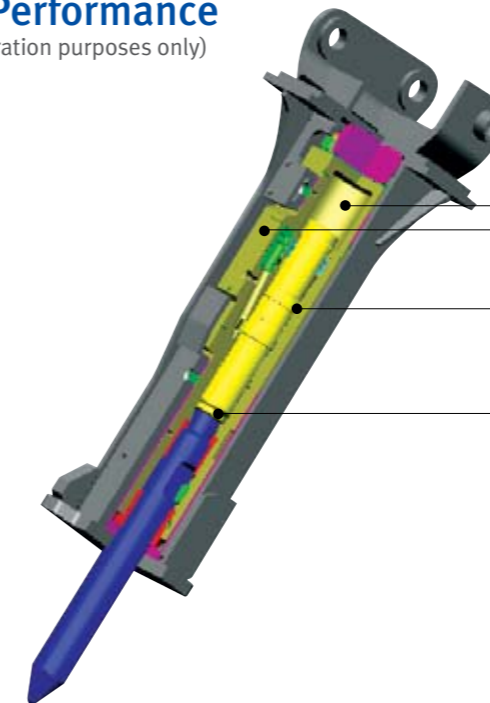
## DOOSAN Delivers

- ✓ Quality
- ✓ Performance
- ✓ Best Fit
- ✓ Service



## DXB Performance

(for illustration purposes only)



### Energy recovery system

- The energy recovery system increases the striking power by using the energy generated when the piston rebounds.
- When the breaker is used on hard materials, the energy recovery system automatically increases the breaker frequency to optimize performance.

### Unique valve system

- The patented main valve controls the piston movement in order to optimize the striking power.

### High quality piston and cylinder

- The piston and cylinder are made of similar steel with the highest quality materials used in the European aerospace industry. The number of wear parts such as the piston and cylinder has been minimized to reduce replacement and maintenance cost.
- Fine tolerances minimize internal leaks and increase breaker efficiency.

### Blank fire protection

- A hydraulic cushion at the bottom of the cylinder bore slows and stops the downward movement of the piston.
- The dampening system protects against blank firing from the first blow.

